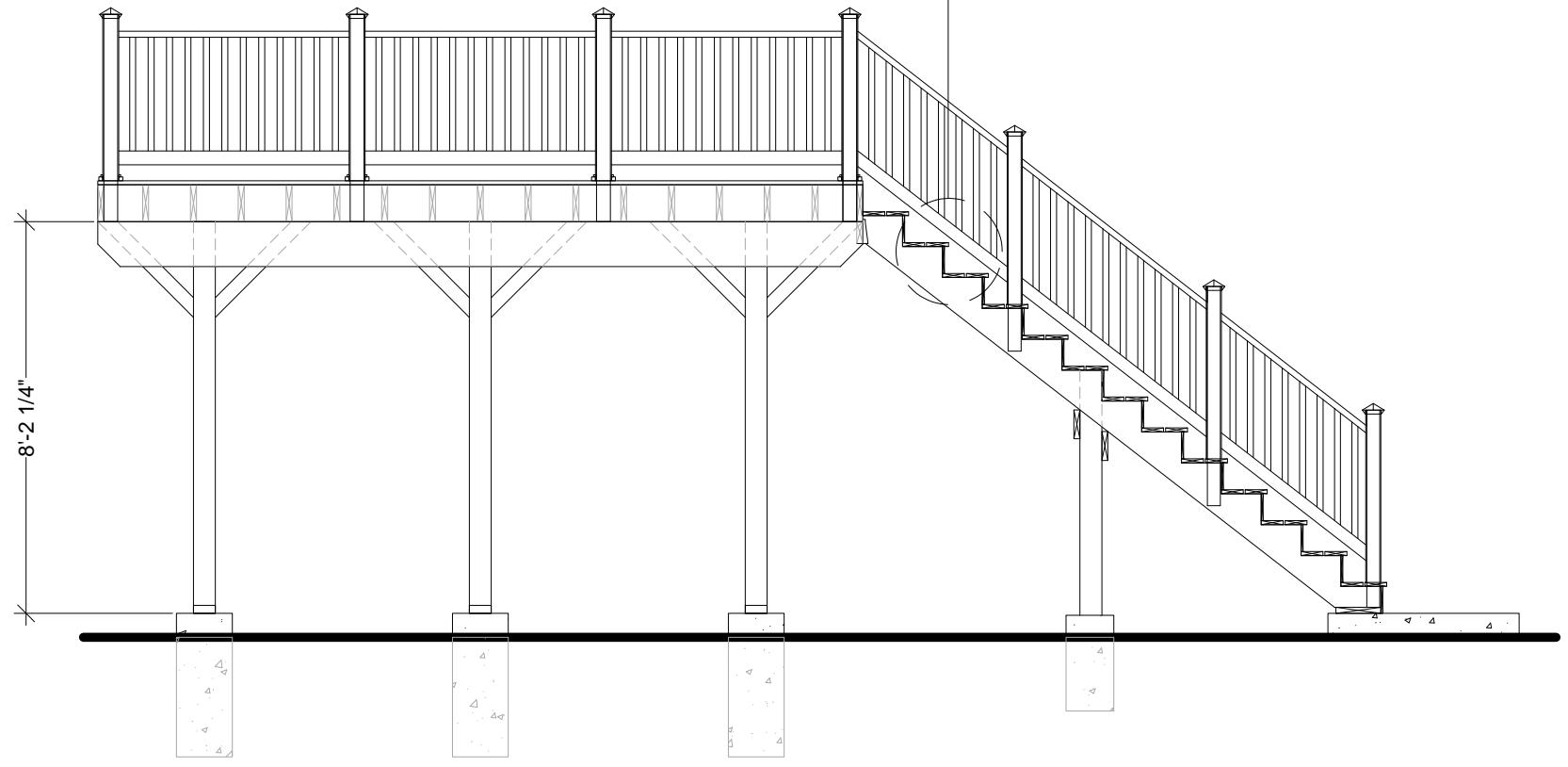
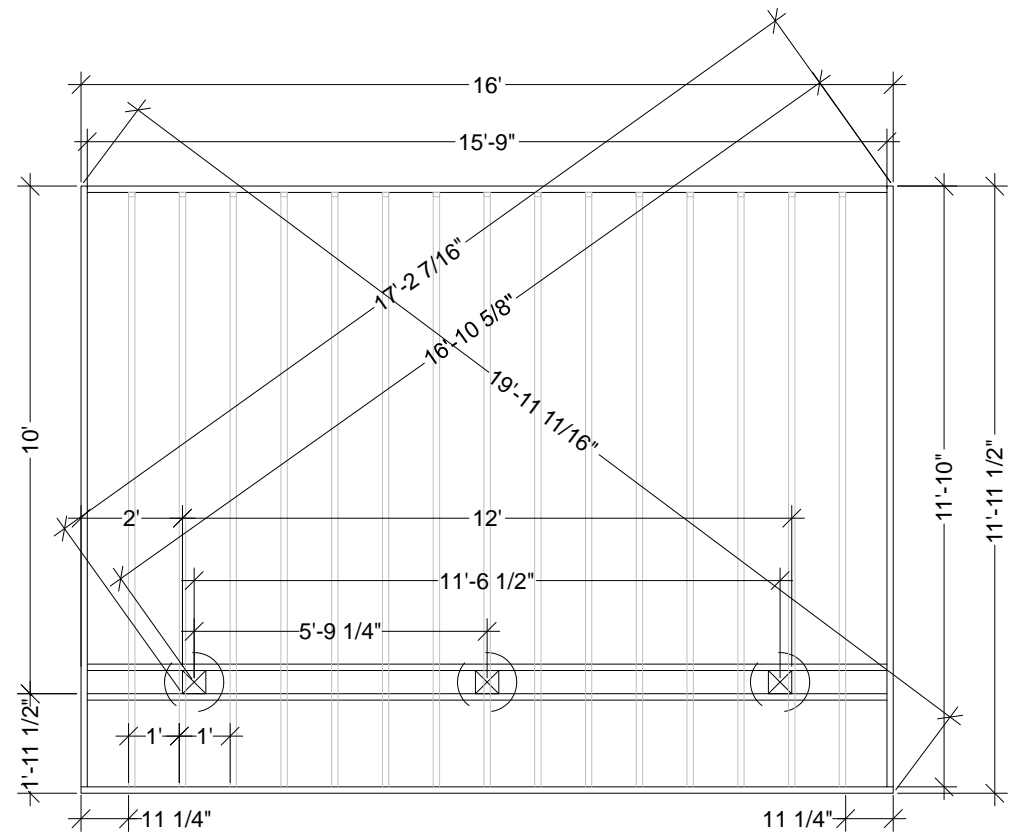
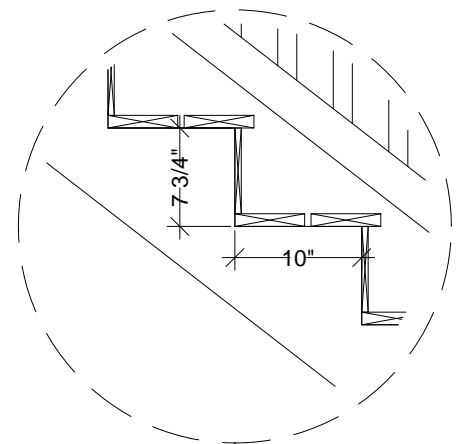


NOTE: This Deck Print is an example only  
 You will need to adjust deck height & stairway  
 to accomodate your situation & need.



*The WWW.BARNTOOBOX.COM will not be, under any circumstances, be liable to the consumer for any incidental, consequential, special, exemplary, or punitive damages arising out of the use of this drawing. Always check with your local engineer or building professional before using this drawing for construction.*

Drawn by YevZer	<b>12'x16' Deck</b>	
	BarnToolBox.com	
	Copyrighted Material	