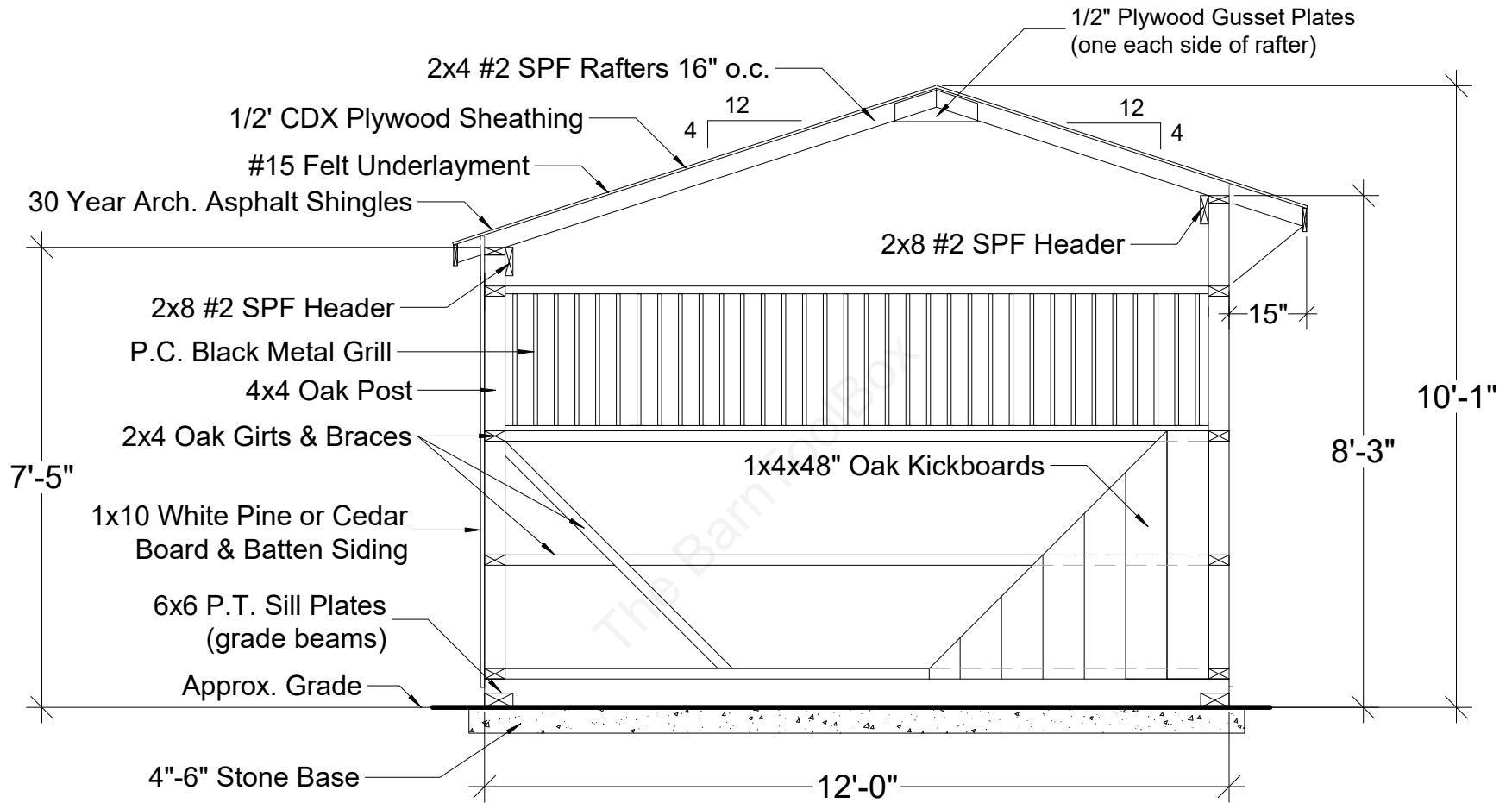


# 12'x24' Shedrow Horse Barn



12'x24' Shedrow Horse Barn



**NOT FOR CONSTRUCTION USE**

THE WWW.BARNTOOLBOX.COM WILL NOT BE UNDER ANY CIRCUMSTANCES LIABLE TO THE CONSUMER FOR ANY INCIDENTAL, CONSEQUENTIAL, SPECIAL, EXEMPLARY OR PUNITIVE DAMAGES ARISING OUT OF THE USE OF THESE DRAWINGS.

CONSULT WITH YOUR ENGINEER BEFORE USING THESE DRAWINGS

Copyright 2016 www.BarnToolBox.com All Rights Reserved

CUSTOMER INFO

*The BarnToolBox*

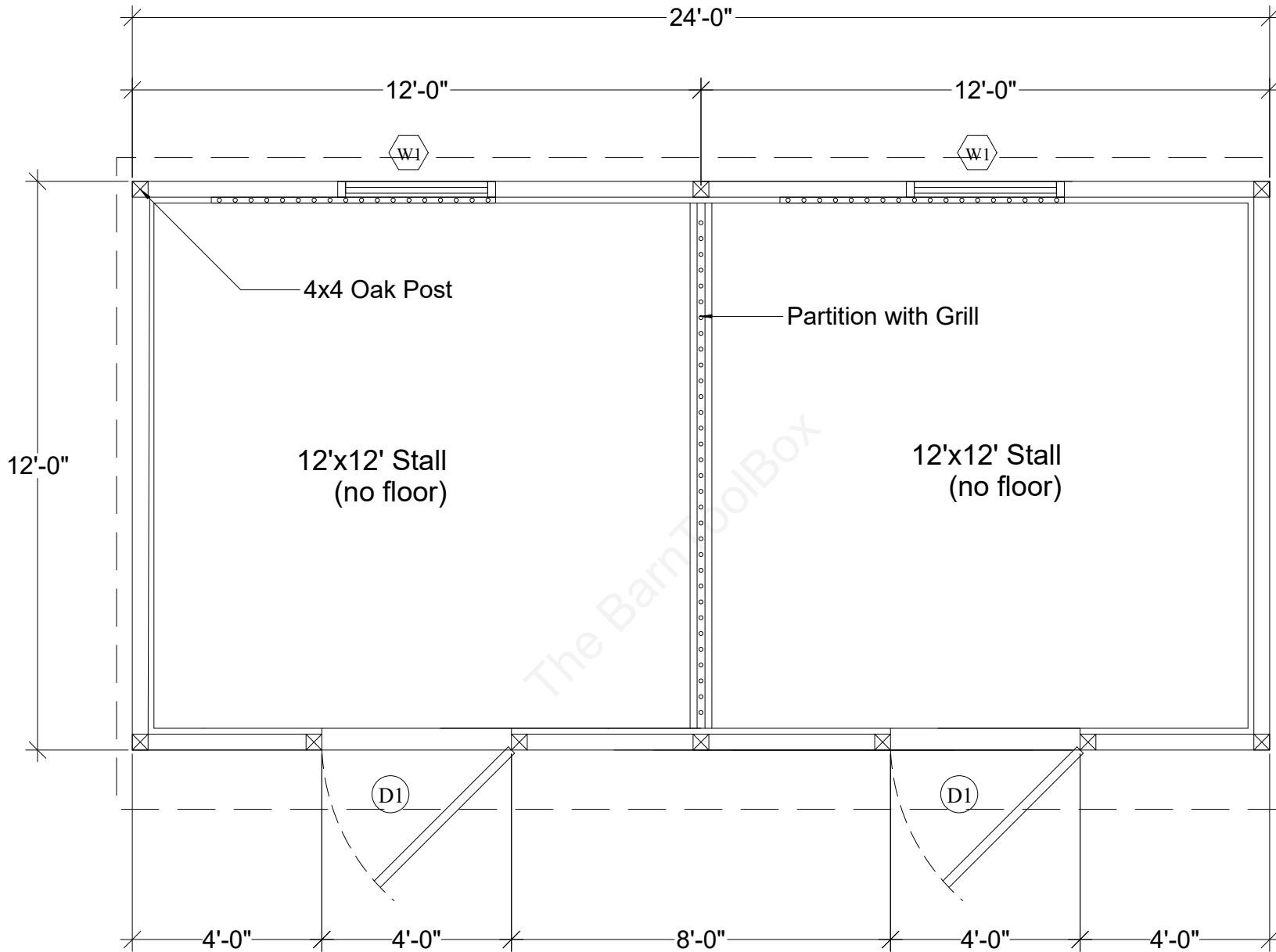
12'x24' SEHD ROW BARN

TITLE  
GABLE CONSTRUCTION DETAILS

SIZE CAGE CODE DWG NO REV

SCALE 3/8" = 1'-0" SHEET A.1

# 12'x24' Shedrow Horse Barn



**DESIGN LOADS:**

WIND LOAD:  
100 MPH (3 SEC. GUSTS)  
90 MPH SUSTAINED

SNOW LOAD:  
LIVE LOAD - 35 PSF PLUS DRIFT  
DEAD LOAD - ROOF WITH SHINGLES 10 PSF

1. EXTERIOR WALLS TO BE LINED ON INSIDE w/  
1 x 8 OAK VERTICAL KICKBOARDS UP TO 4'-0"  
(IN STALLS ONLY)

(D1) 4'x7' DUTCH DOOR

(W1) 6-LITE WINDOW w./GRILL

**NOT FOR CONSTRUCTION USE**

THE WWW.BARNTOOLBOX.COM WILL NOT BE UNDER ANY  
CIRCUMSTANCES LIABLE TO THE CONSUMER FOR ANY  
INCIDENTAL, CONSEQUENTIAL, SPECIAL, EXEMPLARY OR  
PUNITIVE DAMAGES ARISING OUT OF THE USE OF  
THESE DRAWINGS.

CONSULT WITH YOUR ENGINEER BEFORE USING THESE DRAWINGS

Copyright 2016 www.BarnToolBox.com All Rights Reserved

SEAL

The BarnToolBox

12'x24' SHEDROW BARN

TITLE			
FLOOR PLAN			
SIZE	CAGE CODE	DWG NO	REV
SCALE	5/16" = 1'-0"		SHEET
			A.2